



ARSENO SM300

Front loading Sweeper

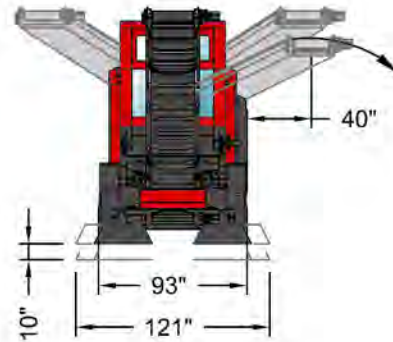
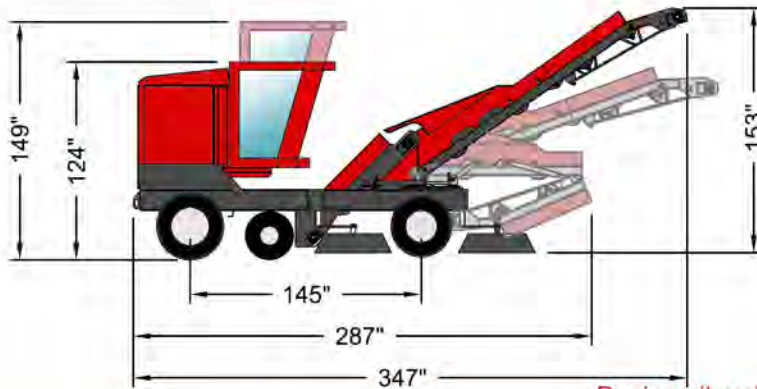


- Front loading provides speed and efficiency
- Operating speed of up to 20 Km/hr (11 MPH)
- Travelling speed of up to 90 Km/hr (50 MPH)
- Full visibility operator's cab with riser and safe access
- Ergonomic console and steering column
- Easy access to all components for maintenance

**PATENT
PENDING**

Technical specifications Front loading sweeper

ARSENO SM300



Basic unit weight without option: 21 000 lbs (9 525 kg)

**PATENT
PENDING**

- | | |
|--------------------|---|
| Engine | <ul style="list-style-type: none"> • Cummins ISC 330 HP – 1,100 ft.lbs. torque @ 1400 RPM • Air to air cooler and radiator |
| Performance | <ul style="list-style-type: none"> • Up to two (2) metric tons per minute into conveyor |
| Speed | <ul style="list-style-type: none"> • Traveling speed of up to 90 Km/hr (50 MPH) |
| Hydraulics | <ul style="list-style-type: none"> • Hydrostatic double pump with Load Sensing implement pump • Hydraulic reservoir:..... 100 US Gal. (3780 l) • Suction strainer:.....125 mesh • Pressure filters:.....10 microns • Return filters:..... 10 microns • Oil Cooler with thermostatic control |
| Electrical | <ul style="list-style-type: none"> • 12 VDC system • One (1) 8D type battery 1,100 amps • 120 amps alternator • Safety fuses for best protection |
| Powertrain | <ul style="list-style-type: none"> • Rear axle with two (2) speeds differential • Two (2) speeds hydraulic motor (hydrostatic) • Front steering axle |

- | | |
|-------------------------|--|
| Suspension | <ul style="list-style-type: none"> • Front spring suspension • Rear axle is rubber cushioned |
| Brake | <ul style="list-style-type: none"> • Front and rear axles hydraulic brake over hydrostatic braking |
| Tires | <ul style="list-style-type: none"> • Front : 9 X 22.5 Rear : 315 X 80 X 22.5 |
| Loading conveyor | <ul style="list-style-type: none"> • Heavy duty belt with ¾" cleats for best performance with guiding system • Variable speed on belt for dust control • Pivot mounted for loading adjustment (hydraulic) |
| Fuel tank | <ul style="list-style-type: none"> • Diesel fuel, 180 litres (48 US gals) |
| Water tank | <ul style="list-style-type: none"> • For dust control mist - 890 litres (235 US gals); |
| Options | <ul style="list-style-type: none"> • Front rotating brushes for best performance • Anti-collision radar system • Cruise control system • Back-up camera system • Adjustable mounting for brushes • Rotating beacon and other safety lighting • Wireless control for loading conveyor adjustment and fold-down |



info@tanguay.cc

1.800.463.9856

