



J100B

Mini-Paver and Road Widener

New **B Series** with a **conveyor** for **more production** !

Operator on top of the job for great **visibility** and **precision** works

3.5 minutes to empty a dump truck!

The **J100B** push the truck and **controls** its speed

Spread up to **six feet** !

Ideal for spreading aggregates and asphalt for specialities like: Trenches, road shoulders, sidewalk, railroad center filling, etc.

Traction:

- Self-propelled hydrostatic drive and powerful steering for accurate spreading control
- Simple operation with a single joystick control
- Traveling speed up to 6.2 mph (10 km/h)
- Two LT235/85R16 traction wheels with independent hydrostatic drive
- Two solid rubber steering wheels with taper bearings, 16.25in x 6in

Engine:

- Perkins 49 hp diesel engine

Conveyor:

- Powered by a dedicated hydrostatic piston pump with variable speed adjustment
- 18 inch wide heat and oil resistant belt
- Precise hydraulically activated hopper material exit door
- Up to 300 tph with belt speed at 140 ft/min

Transport:

- Compact design for easy transportation on a dual axle trailer with a pick-up

Spreader Blade:

- Hydraulically activated with a single joystick for easy and precise controls:
- 12 to 44 inch wide with standard blade and up to 6 feet wide with optional extension
 - Plus or minus 8 inches above or below grade
 - Plus or minus 8 degree spreading angle
 - Down to 8 inches below grade spreading for 33 to 72 inches wide trenches.
 - Down to 6 inches below grade for 12 to 33 inches wide trenches with optional narrow trench plates

Options:

- Spreader Blade Extension for six feet wide spreading (40 to 72 inches wide)
- Narrow trench plates, hydraulically activated down to six inches below grade
- Working lights and strobe
- Tool support
- Push roller bumpers, hydraulically activated 8 inch stroke

Liquid capacity:

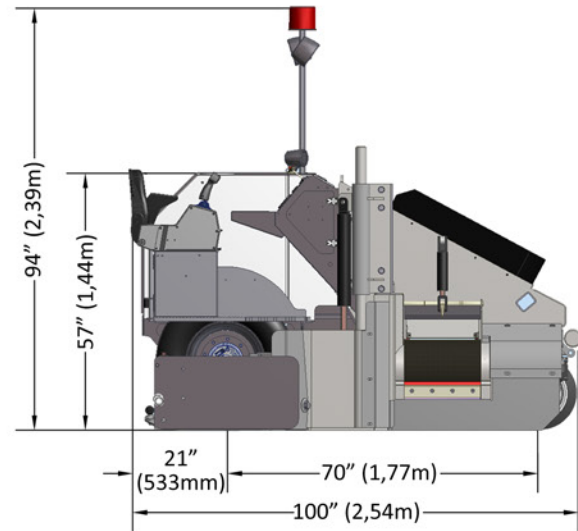
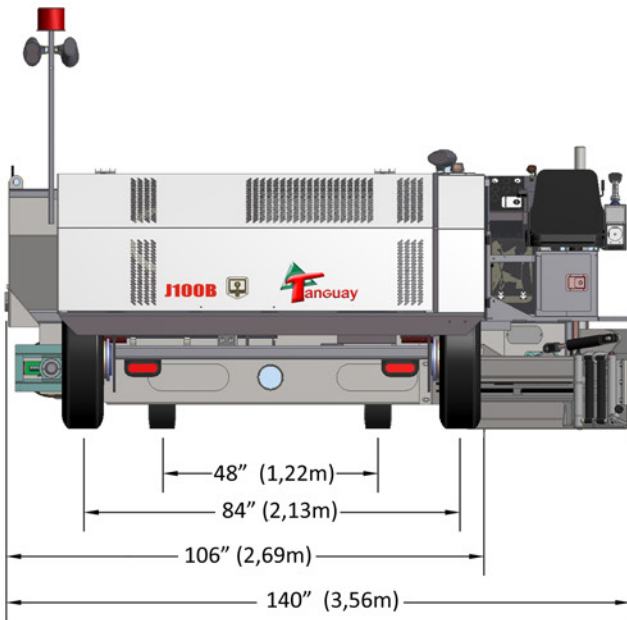
- Fuel tank : 34 gal. (130 liters)
- Hydraulic tank: 32 gal. (120 liters)

www.tanguay.cc

1.800.463.9856

Technical specifications Mini-Paver and Road Widener

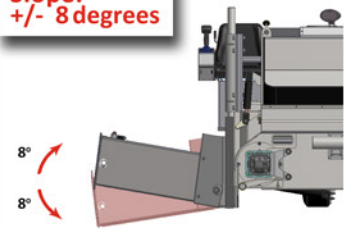
J100B



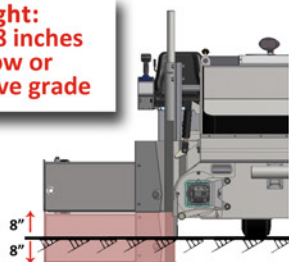
Operating weight: 3,515 kg (7,750 lbs)

Blade Adjustments

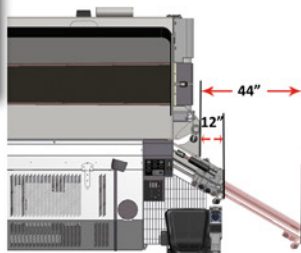
Slope:
+/- 8 degrees



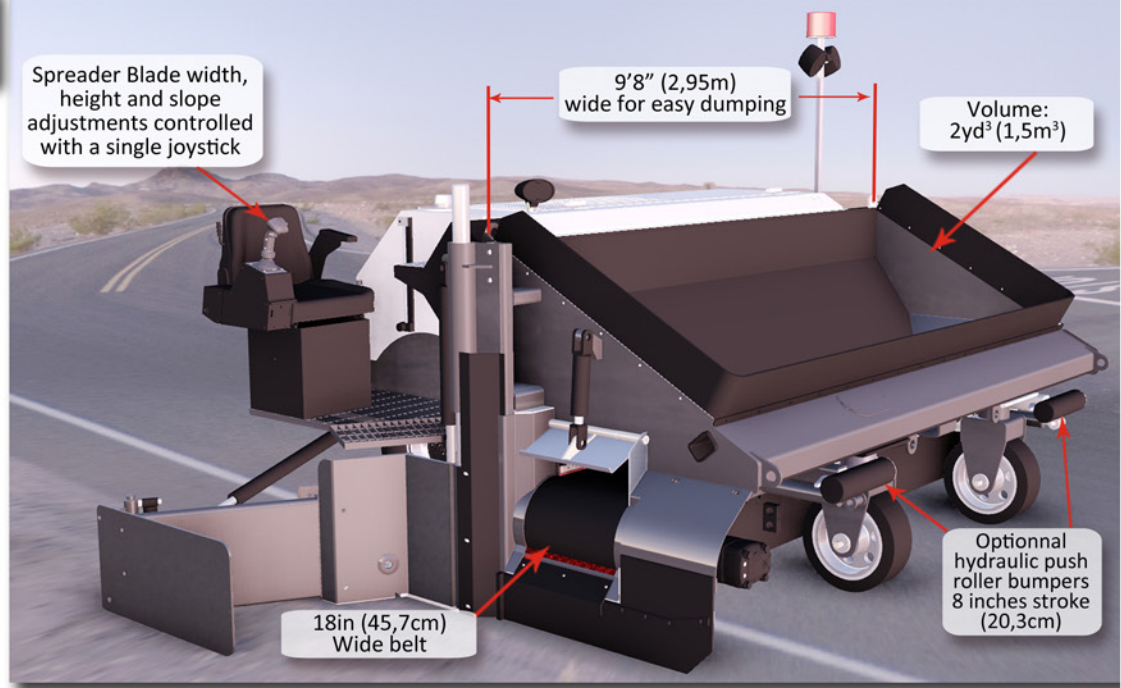
Height:
+/- 8 inches
below or
above grade



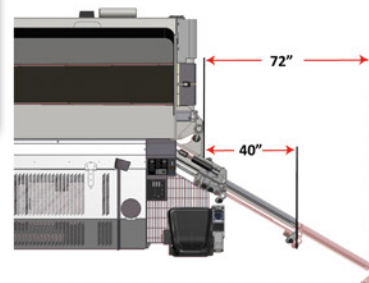
Width:
12 to 44
inches with
standard
blade



Spreader Blade width,
height and slope
adjustments controlled
with a single joystick



Width:
40 to 72
inches
with
optional
extension



**Optional
Narrow
Trench
Plate**

